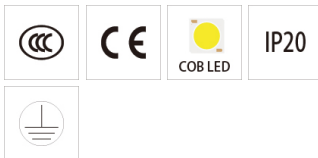
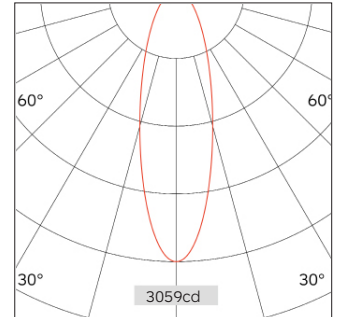
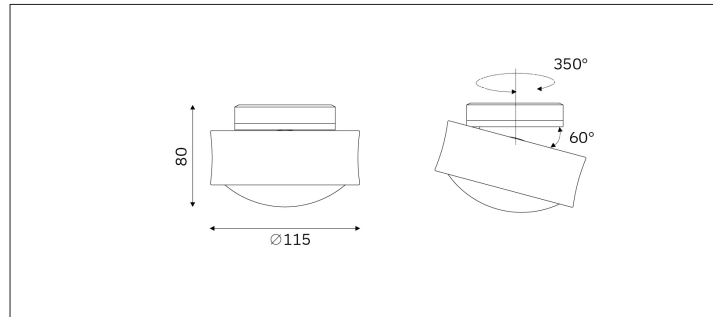


93.11312 LENS Pendant Lighting



Light Distribution	LENS Pendant Lighting
Colour Temperature	2700/3000/3500/4000K
Colour Rendition Index	CRI 90
Optics	LENS
Beam Angle	40D/80D
Installation method	Surface Mounted
Connected Load	20W
Luminous Flux Of The Luminaire	1425lm
Luminaire Efficacy	72lm/W
Colour Deviation	SDCM <5
Light Source	LED
LED Type	COB
Dimming Method	Triac/1-10V/ Dali
Cover Material	Aluminum
Body Material	Aluminum
IP Rating	IP20
Housing Colour	Sandy White/ Sandy Black
Weight	1Kg
Technical Region	220-240V 50/60Hz

Light Beam Talbe		
h(m)	E(lx)	D(m)
		40°
1.0	2995	0.71
2.0	748	1.41
3.0	332	2.12
4.0	187	2.83
5.0	119	3.54

Application areas: High end residential and retail projects, hotels, museums and galleries.